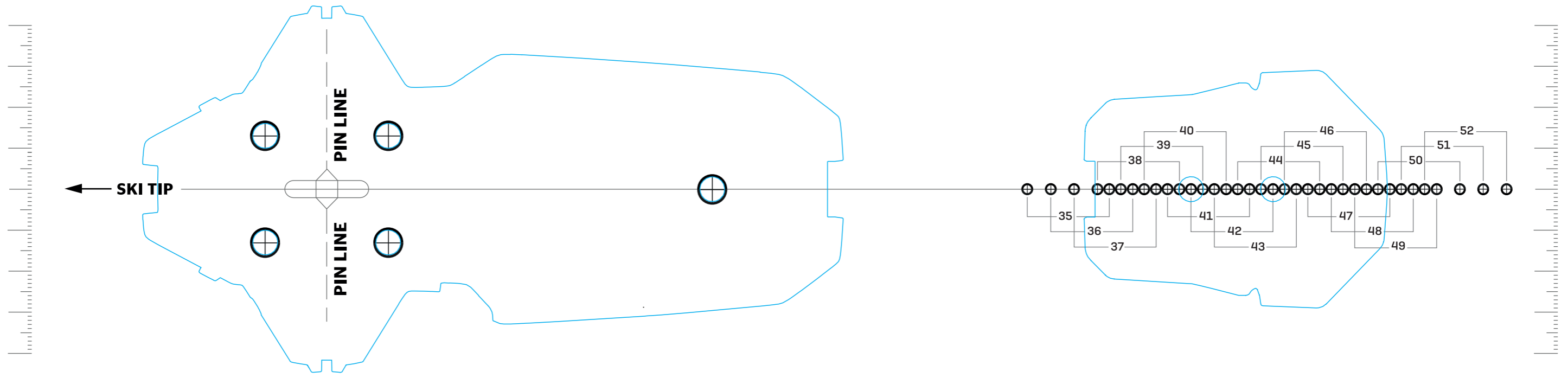
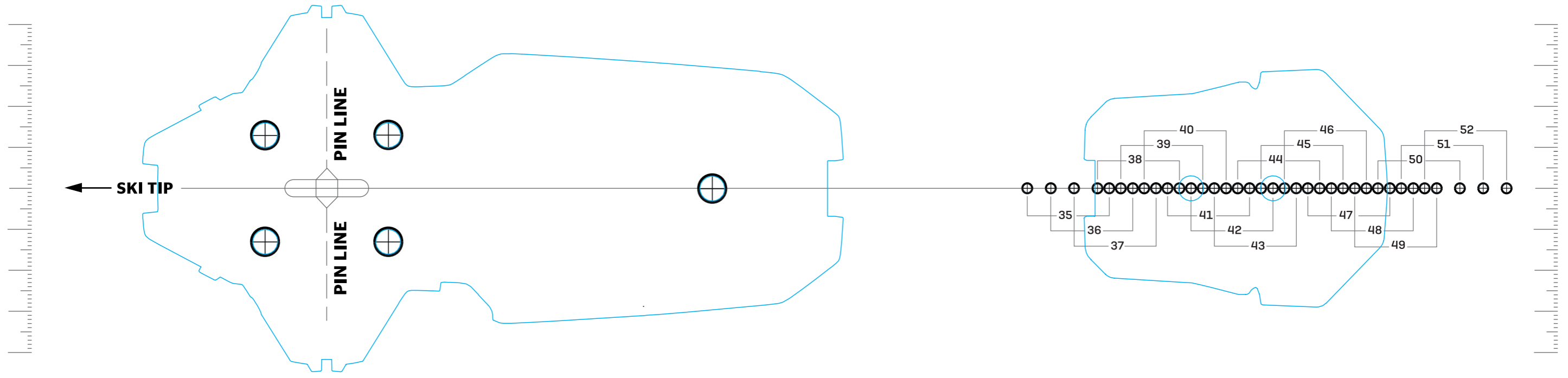
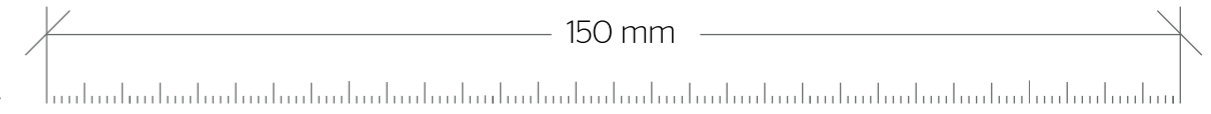


Use the measurements to the right to check that your print is correctly scaled.



Tightening torque: 3 Nm
Drill bit (screw length = 16.3 mm): 3.6 x 9 mm Drill bit (screw length = 21.8 mm): 3.6 x 15.5 mm
Tighten manually

Name of product: Paper Jig Xplore Off-Track	Scale: 1:1
ROTTEFELLA	
Ringeriksveien 70 3414 Lierstranda, Norway Tlf: +47 32 79 25 20 rottefella.com	